

PREMIUM MONITOR ARMS



100-MA1B
SINGLE ARM

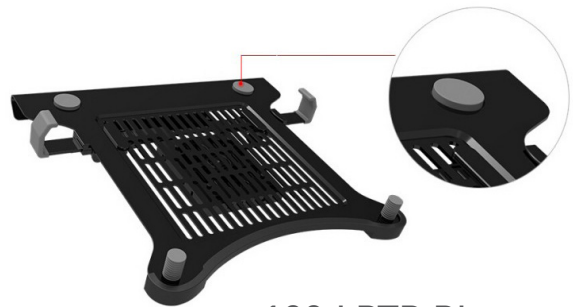
VESA quick-release
mount



Finishes:

Silver (SL)

Black (BL)



100-LPTP-BL
Optional Laptop Holder

Features:

- Vesa quick-release mount for quick install
- Holds up to 32"(single arm 36") large monitor
- Excellent arm range 24" deep extension
- Finger touch height adjustment – quality feel!
- Compatible with optional laptop holder



100-MA2B
DUAL ARM

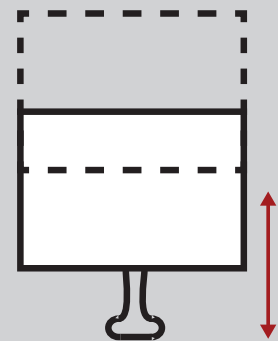
Workstation Comfort perfect monitor placement with our **NEW** single or double,
Pneumatic Monitor Arms.

Additional Features:

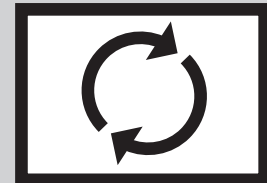
- Desk clamp and/or grommet mount
- Recommended for deep worksurfaces or corner applications (30" deep or greater)
- 14" height adjustment range: 5"– 19" (low/high)
- 24.0" arm extension
- 90° monitor tilt
- 90° VESA rotation
- 6.6 lbs. – 26.4 lbs. weight capacity (MA1B)
- 4.4 lbs. – 19.8 lbs. weight capacity (per arm) (MA2B)
- Exceeds BIFMA x5.5 requirements
- 10yr warranty
- Finger touch height adjustment
- VESA quick-release
- Double arm 32.0" max. monitor (36" single arm)



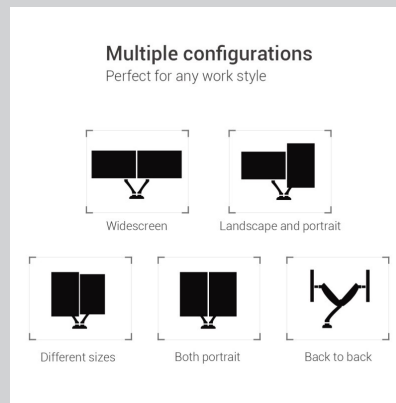
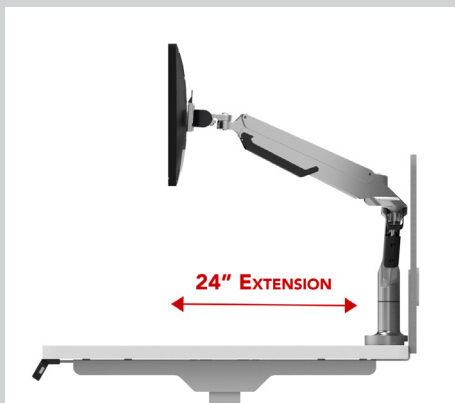
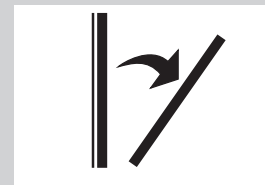
5"– 19" (low/high)



90° VESA rotation



90° monitor tilt



Model:

100-MA1B
100-MA2B
100-LPTP
(optional add-on)

Description:

Single Arm
Dual Arm
Laptop Holder

Finish:

Black (BL) or Silver (SL)
Black (BL) or Silver (SL)
Black (BL)



Heartwood Distributors Ltd.

Choose high quality, price sensitive products that are
IN-STOCK and ready for next day shipping.
www.heartwooddl.com



Heartwood Manufacturing Ltd.

251 Adams Rd, Kelowna, BC V1X 7R1
T: 1 800 567 3060 F: 250 765 1213
www.heartwood.ca