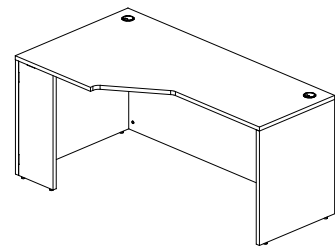
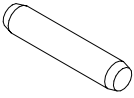
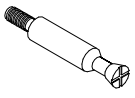
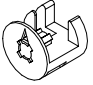

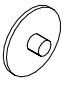


MODEL: ZA 28-6636  
ZA 28-7236

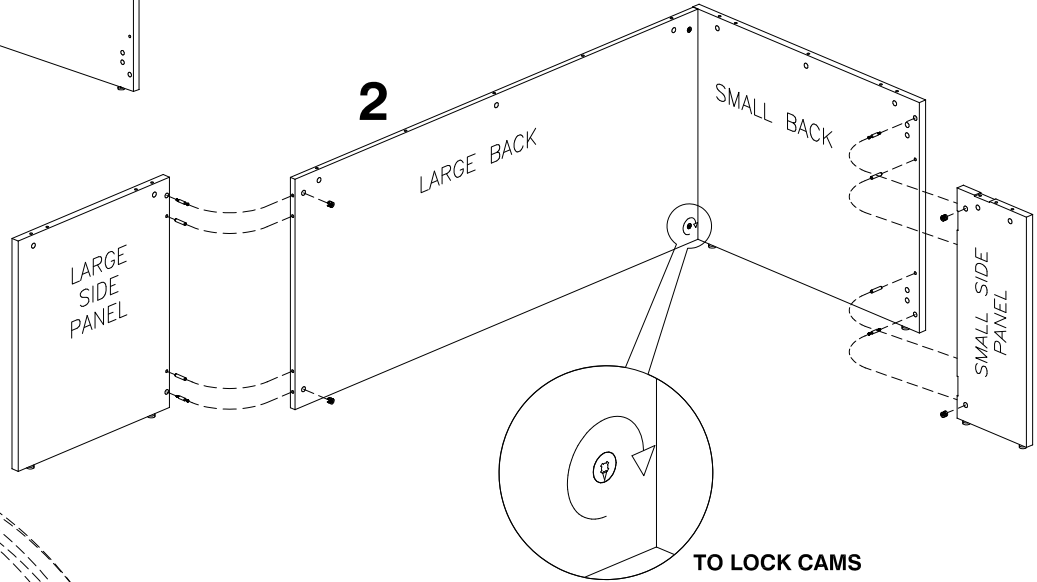
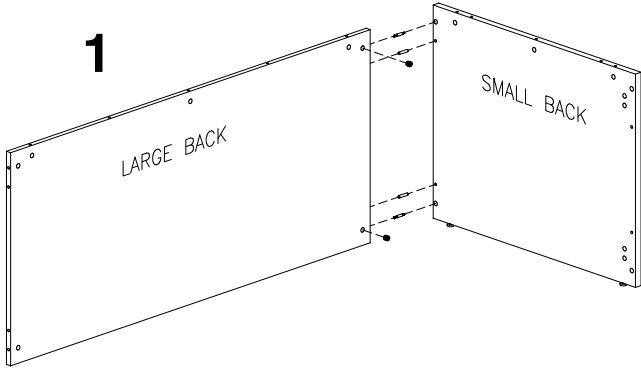


MODEL: ZA 27-3666  
ZA 27-3672

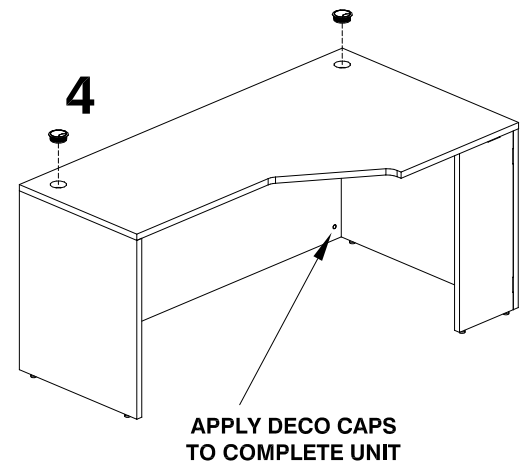
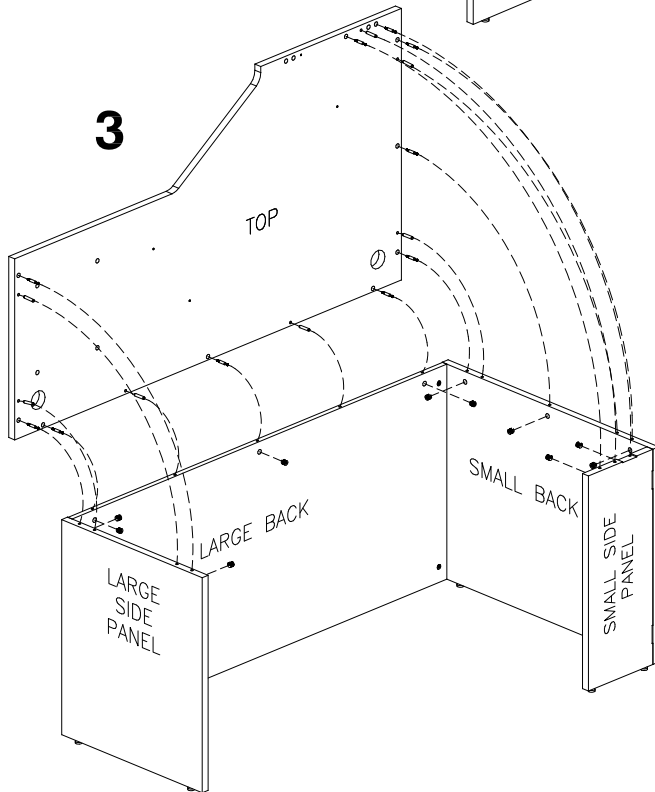
|                                                                                                              |                                                                                                                      |                                                                                                                     |                                                                                                                 |                                                                                                                   |
|--------------------------------------------------------------------------------------------------------------|----------------------------------------------------------------------------------------------------------------------|---------------------------------------------------------------------------------------------------------------------|-----------------------------------------------------------------------------------------------------------------|-------------------------------------------------------------------------------------------------------------------|
| <p>13 PCS</p>  <p>DOWEL</p> | <p>16 PCS</p>  <p>MINI FIX BOLT</p> | <p>16 PCS</p>  <p>MINI FIX CAM</p> | <p>2 PCS</p>  <p>GROMMET</p> | <p>16 PCS</p>  <p>DECO CAP</p> |
|--------------------------------------------------------------------------------------------------------------|----------------------------------------------------------------------------------------------------------------------|---------------------------------------------------------------------------------------------------------------------|-----------------------------------------------------------------------------------------------------------------|-------------------------------------------------------------------------------------------------------------------|

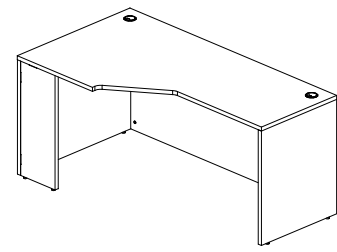
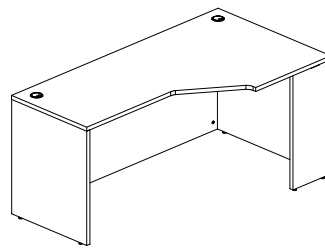
**CAUTION:**

OFFICE FURNITURE IS HEAVY. ENSURE THAT YOU HAVE ADEQUATE ASSISTANCE WHEN LIFTING AND MOVING PARTS AND ASSEMBLIES. KEEP HARDWARE OUT OF REACH OF CHILDREN.



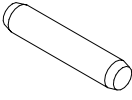
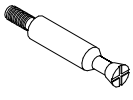
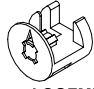


QUESTIONS OR CONCERNS ?  
PHONE Customer Service  
1-866-567-3060  
M-F 7am - 4:30 pm PST

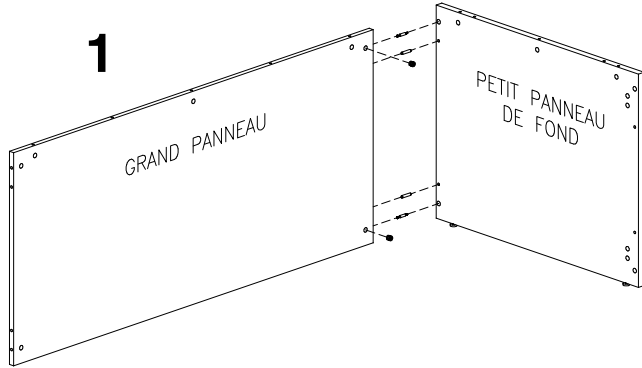




MODÈLES: ZA 28-6636  
ZA 28-7236

MODÈLES: ZA 27-3666  
ZA 27-3672

|                                                                                                                           |                                                                                                                   |                                                                                                                                    |                                                                                                                        |                                                                                                                       |
|---------------------------------------------------------------------------------------------------------------------------|-------------------------------------------------------------------------------------------------------------------|------------------------------------------------------------------------------------------------------------------------------------|------------------------------------------------------------------------------------------------------------------------|-----------------------------------------------------------------------------------------------------------------------|
| <p>13 PIÈCES</p>  <p>GOUJONS EN BOIS</p> | <p>16 PIÈCES</p>  <p>GOUJONS</p> | <p>16 PIÈCES</p>  <p>LOGEMENT DE RACCORDEMENT</p> | <p>2 PIÈCES</p>  <p>PASSE-CÂBLE</p> | <p>16 PIÈCES</p>  <p>CACHE-VIS</p> |
|---------------------------------------------------------------------------------------------------------------------------|-------------------------------------------------------------------------------------------------------------------|------------------------------------------------------------------------------------------------------------------------------------|------------------------------------------------------------------------------------------------------------------------|-----------------------------------------------------------------------------------------------------------------------|



QUESTIONS OU PRÉOCCUPATIONS ?  
COMMUNIQUEZ avec le service à la clientèle au  
1-866-567-3060  
du Lundi au Vendredi de 7 h à 16 h 30 HNP

