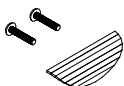
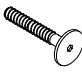


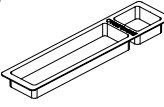

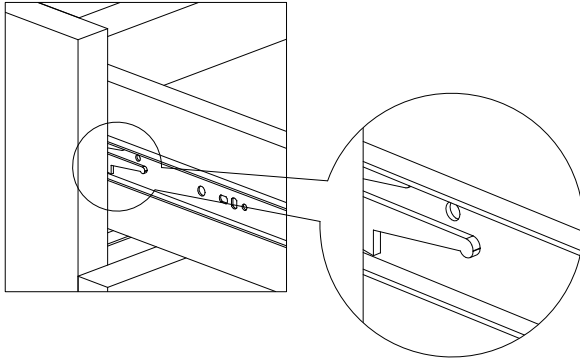


<p>3 PCS</p>  <p>HANDLE &amp; SCREWS</p>	<p>4 PCS</p>  <p>JCB SCREW M6 x 40mm</p>	<p>4 PCS</p>  <p>Ø26mm WASHER</p>	<p>1 PC</p>  <p>M4 ALLEN KEY</p>	<p>1 PC</p>  <p>PENCIL TRAY</p>	<p>4 PCS</p>  <p>LEVELERS</p>
---	---	--	---	--	--

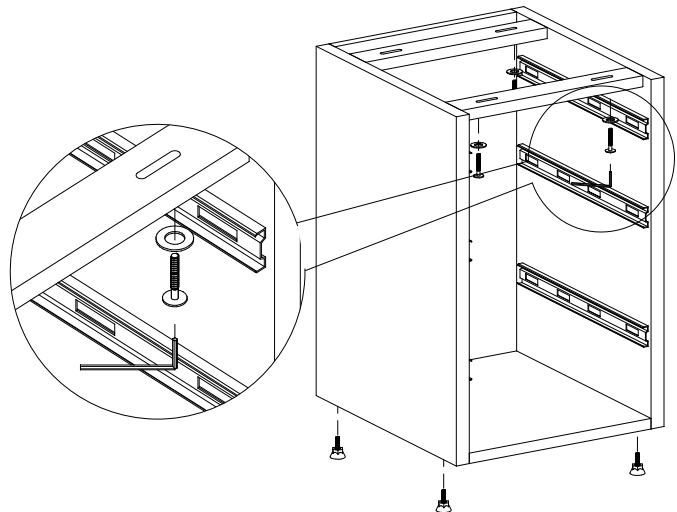
**1 - REMOVE DRAWERS BY PRESSING RIGHT SLIDE LEVER DOWN AND LEFT SLIDE LEVER UP SIMULTANEOUSLY, THEN PULL THE DRAWER FORWARD.**

**CAUTION:**

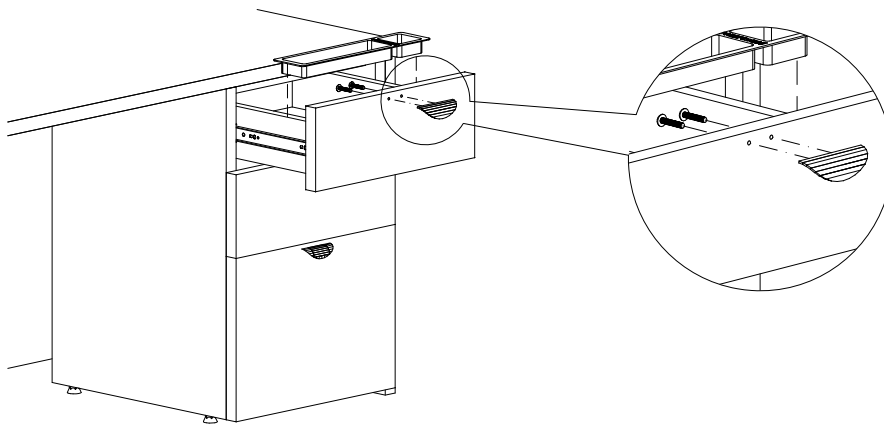
OFFICE FURNITURE IS HEAVY. ENSURE THAT YOU HAVE ADEQUATE ASSISTANCE WHEN LIFTING AND MOVING PARTS AND ASSEMBLIES. KEEP HARDWARE OUT OF REACH OF CHILDREN.



**2 - USE SCREWS & WASHERS TO MOUNT TO UNDERSIDE OF WORKSURFACE.**

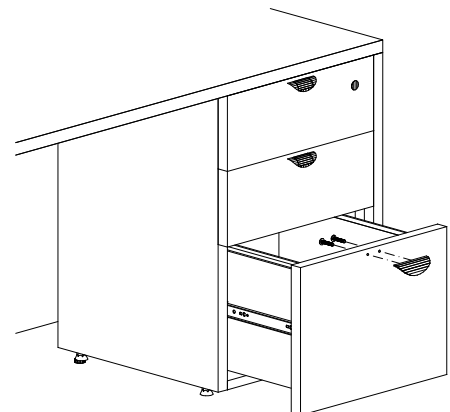


**3 - REINSTALL BOX DRAWERS AND CHECK THAT PENCIL TRAY IS IN PLACE.**



**INSTALL LEVELLERS**

**4 - REINSTALL FILE DRAWER.**



QUESTIONS OR CONCERNS ?  
 PHONE Customer Service  
 1-866-567-3060  
 M-F 7am - 4:30 pm PST