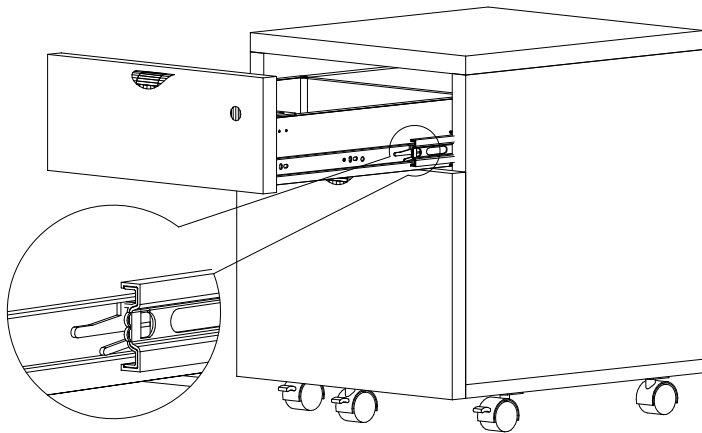


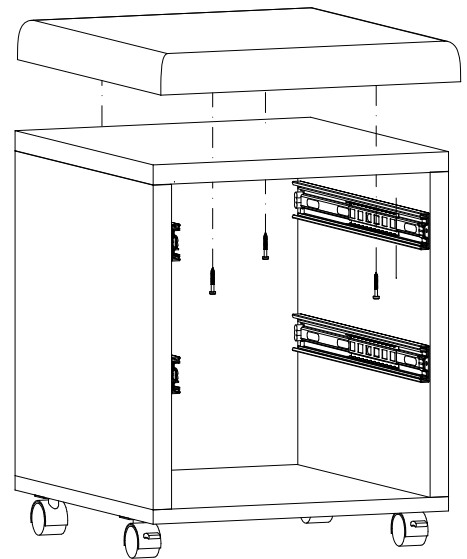
**1** REMOVE DRAWERS BY PRESSING RIGHT SLIDE LEVER DOWN AND LEFT SLIDE LEVER UP SIMULTANEOUSLY, THEN PULL THE DRAWER FORWARD.



INSTALL SEAT CUSHION WITH #4 x 32mm SCREW IN 4 CORNERS

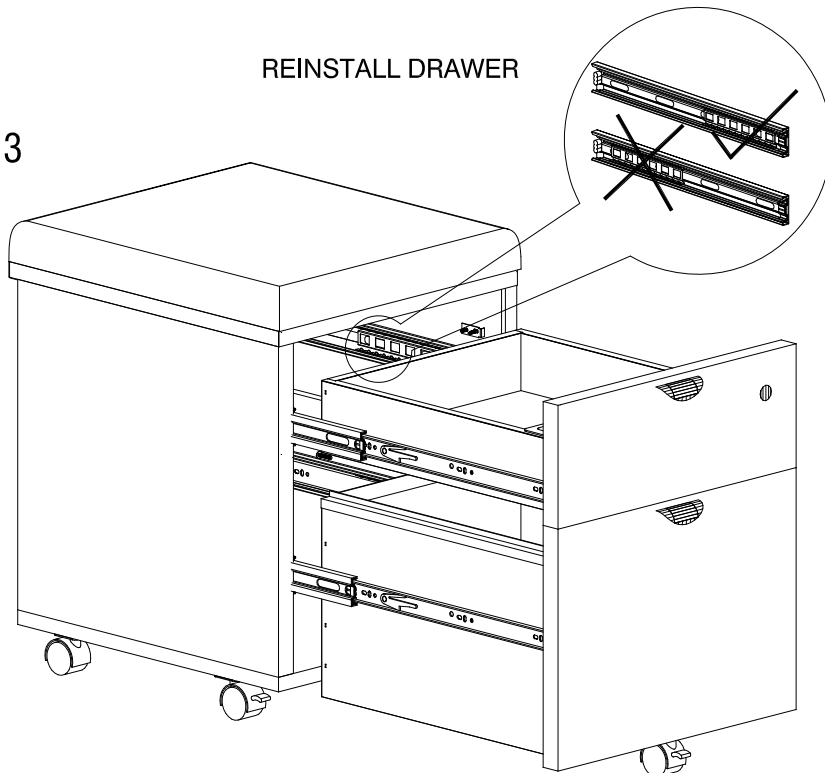
INSTALL SEAT CUSHION WITH 4PCS OF DOUBLE-SIDED TAPE

**2**



REINSTALL DRAWER

**3**



**CAUTION:**  
OFFICE FURNITURE IS HEAVY. ENSURE THAT YOU HAVE ADEQUATE ASSISTANCE WHEN LIFTING AND MOVING PARTS AND ASSEMBLIES. KEEP HARDWARE OUT OF REACH OF CHILDREN

QUESTIONS OR CONCERNS ?  
PHONE Customer Service  
1-866-567-3060  
1-250-765-4145  
M-F 6 am - 4:30 pm PST