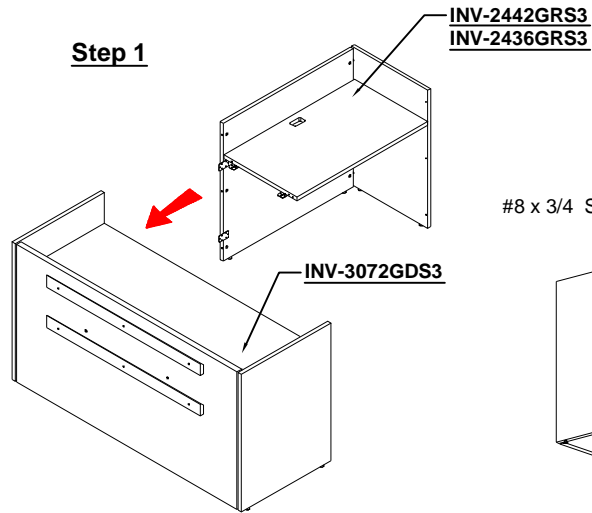
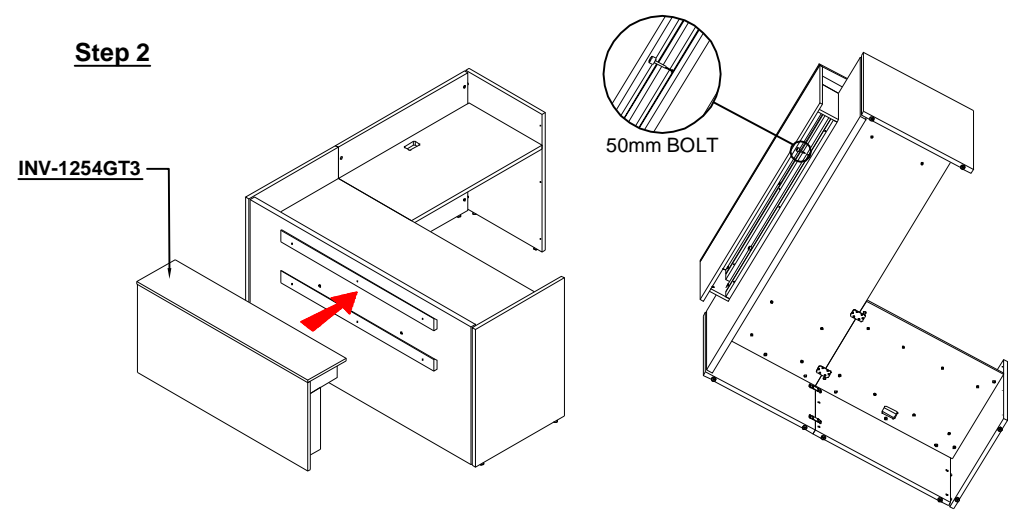


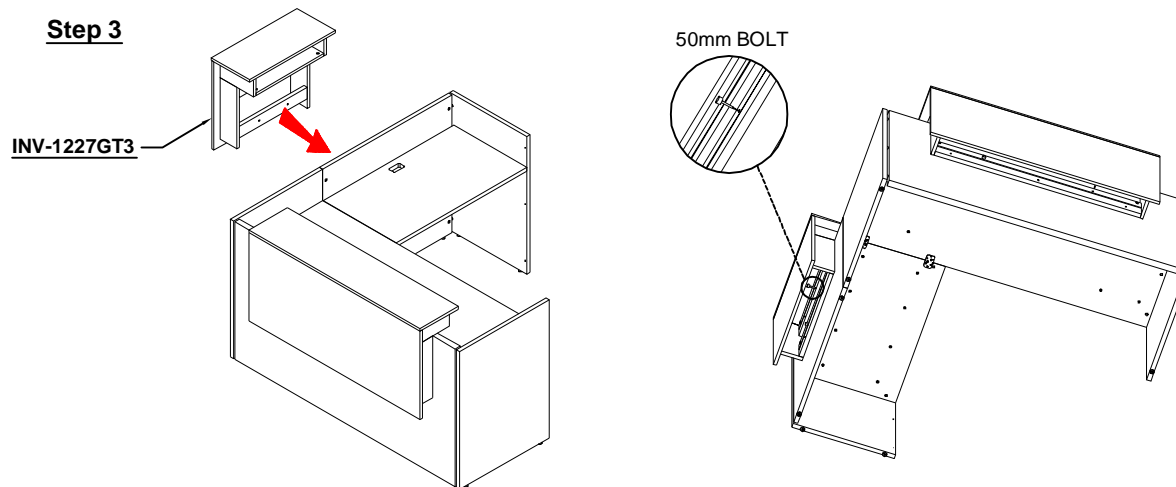
Step 1



Step 2

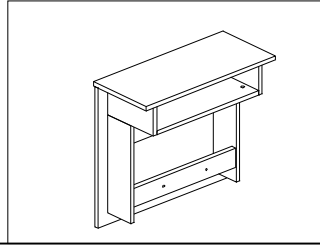


Step 3

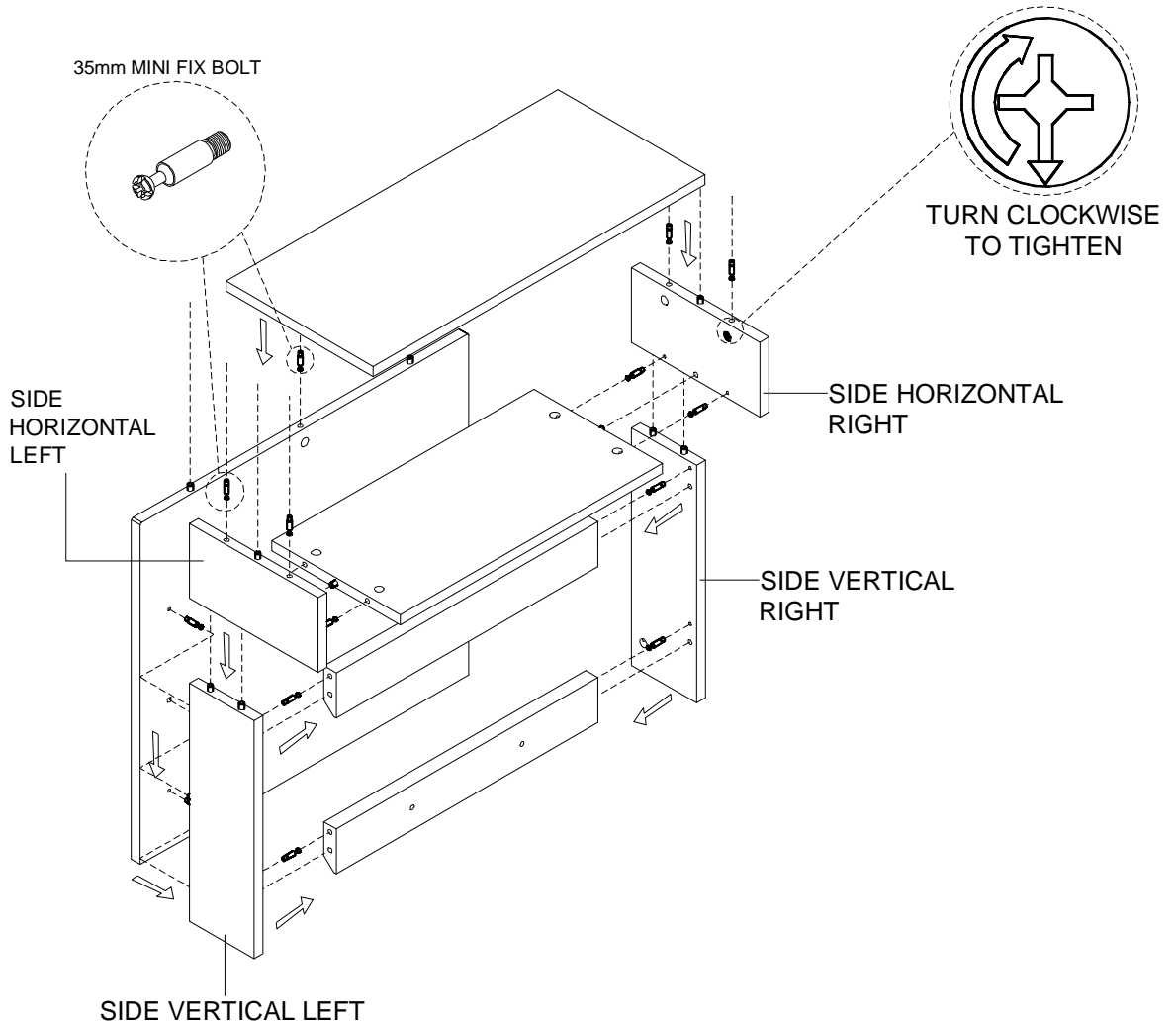


CAUTION:
OFFICE FURNITURE IS HEAVY. ENSURE THAT YOU HAVE ADEQUATE ASSISTANCE WHEN LIFTING AND MOVING PARTS AND ASSEMBLIES. KEEP HARDWARE OUT OF REACH OF CHILDREN.

QUESTIONS OR CONCERN?
PHONE Customer Service
1-866-567-3060
M-F 6am-4.30pm PST



17 PCS 35mm MINI FIX BOLT	2 PCS 50mm BOLT	7 PCS DECO CAP	1 PC TOP CLEAT	1 PC BOTTOM CLEAT	1 PC SIDE VERTICAL LEFT	1 PC SIDE VERTICAL RIGHT
1 PC FRONT PANEL	1 PC BASE PANEL	1 PC SIDE HORIZONTAL LEFT	1 PC SIDE HORIZONTAL RIGHT	1 PC TOP PANEL		



CAUTION:

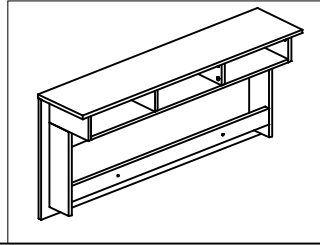
OFFICE FURNITURE IS HEAVY. ENSURE THAT YOU HAVE ADEQUATE ASSISTANCE WHEN LIFTING AND MOVING PARTS AND ASSEMBLIES. KEEP HARDWARE OUT OF REACH OF CHILDREN.

QUESTIONS OR CONCERN?

PHONE Customer Service

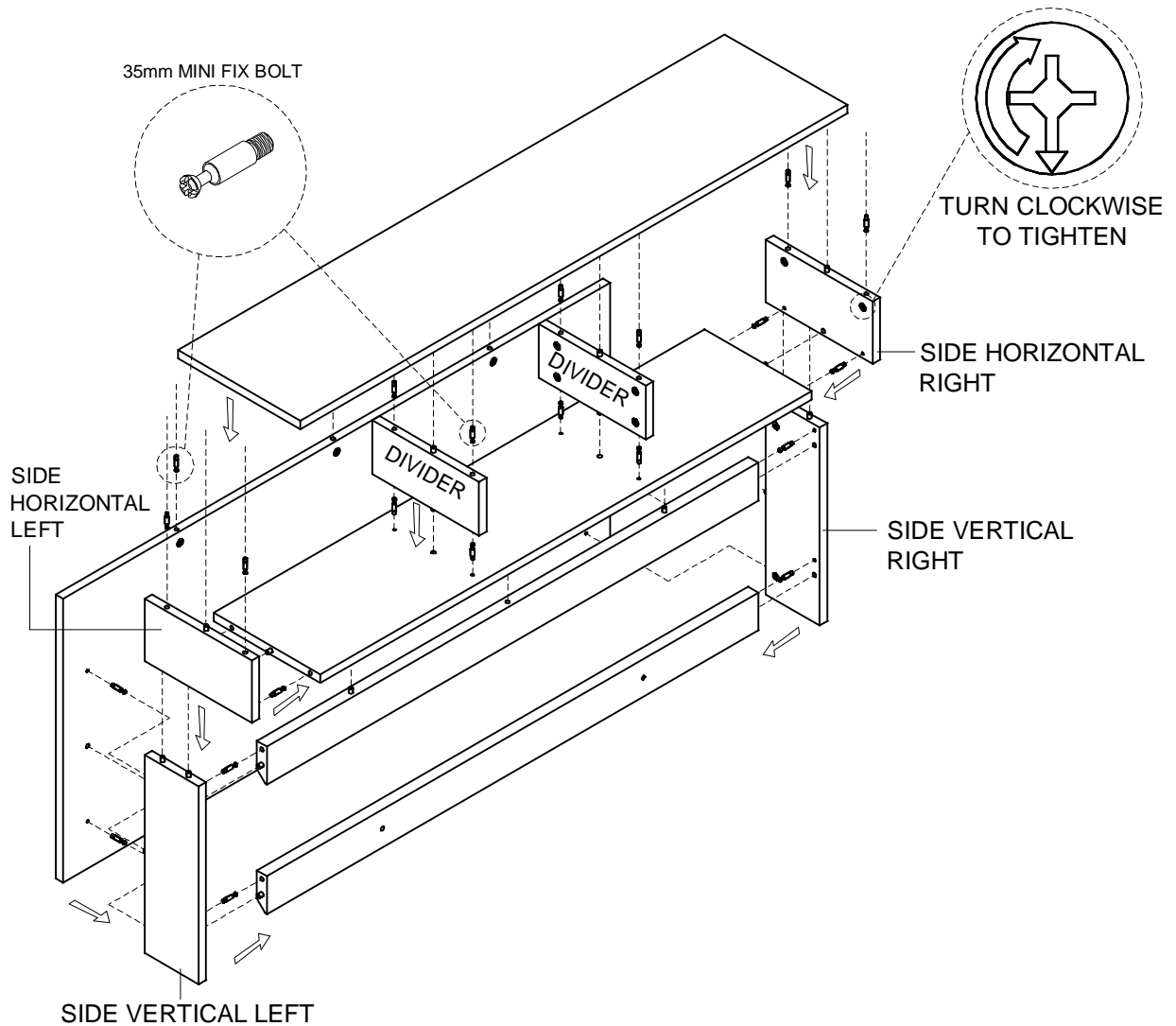
1-866-567-3060

M-F 6am-4.30pm PST



MODEL: INV-1254GT3

28 PCS 35mm MINI FIX BOLT	2 PCS 50mm BOLT	19 PCS DECO CAP	1 PC TOP CLEAT	1 PC BOTTOM CLEAT	1 PC SIDE VERTICAL LEFT	1 PC SIDE VERTICAL RIGHT
1 PC FRONT PANEL	1 PC BASE PANEL	1 PC SIDE HORIZONTAL LEFT	1 PC SIDE HORIZONTAL RIGHT	2 PCS DIVIDER	1 PC TOP PANEL	



CAUTION:

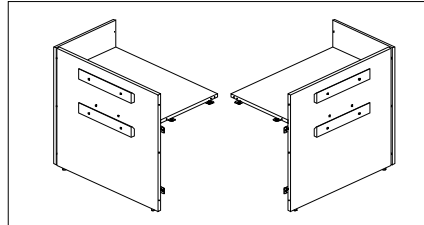
OFFICE FURNITURE IS HEAVY. ENSURE THAT YOU HAVE ADEQUATE ASSISTANCE WHEN LIFTING AND MOVING PARTS AND ASSEMBLIES. KEEP HARDWARE OUT OF REACH OF CHILDREN.

QUESTIONS OR CONCERN?

PHONE Customer Service

1-866-567-3060

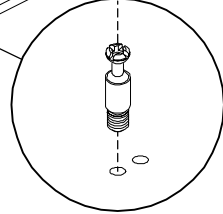
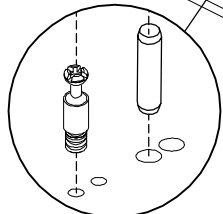
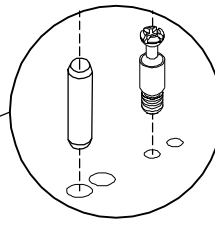
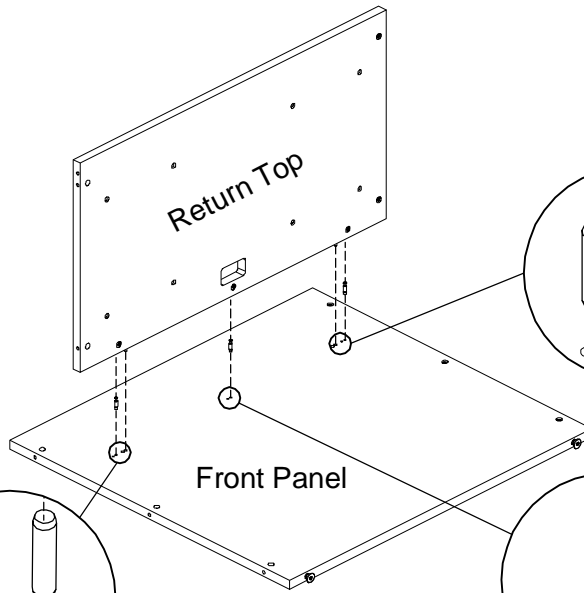
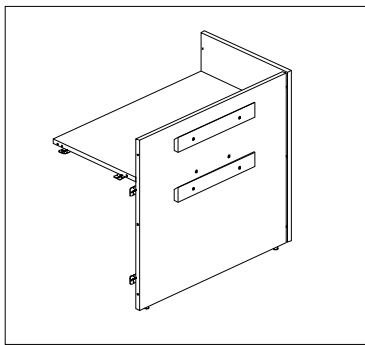
M-F 6am-4.30pm PST



3 PCS 10mm SPACER	3 PCS 45mm MINI FIX BOLT	5 PCS 35mm MINI FIX BOLT	4 PCS JCBC BOLT M6 X 35mm	4 PCS WOOD DOWEL	6 PCS DECO CAP	4 PCS FLAT BRACKET	24 PCS #8 x 3/4 Screw
1 PC RETURN TOP		2 PCS CLEAT		1 PC FRONT PANEL		1 PC GABLE	

STEP: 1a

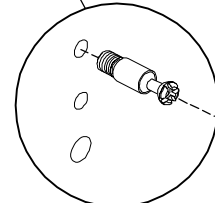
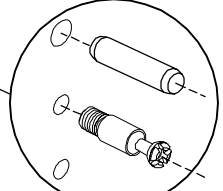
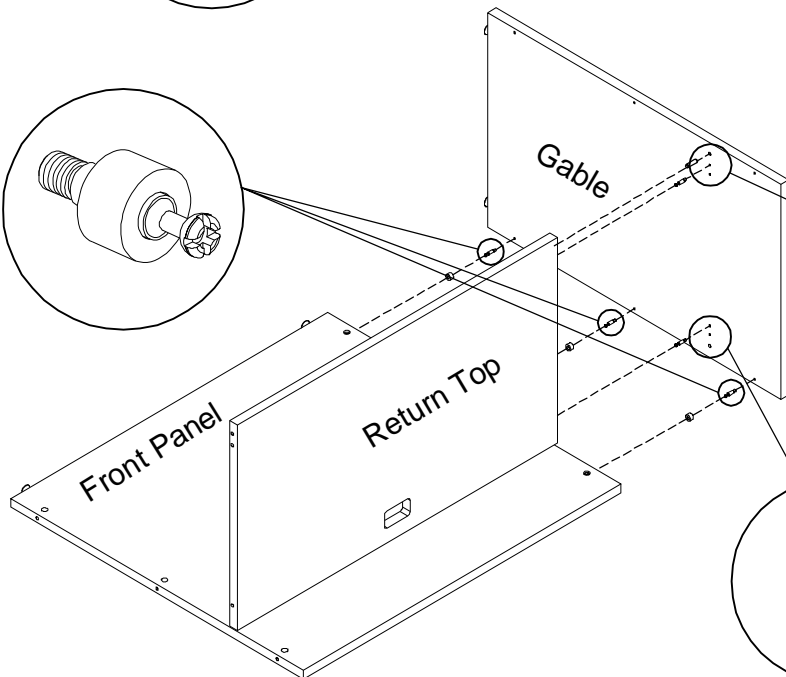
LEFT Hand Return

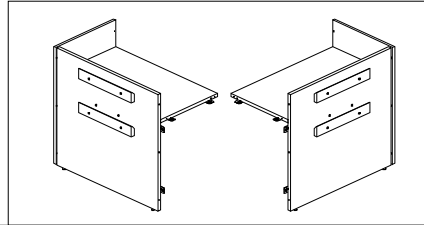


STEP: 2a

LEFT Hand Return

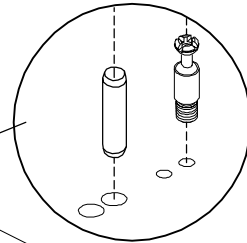
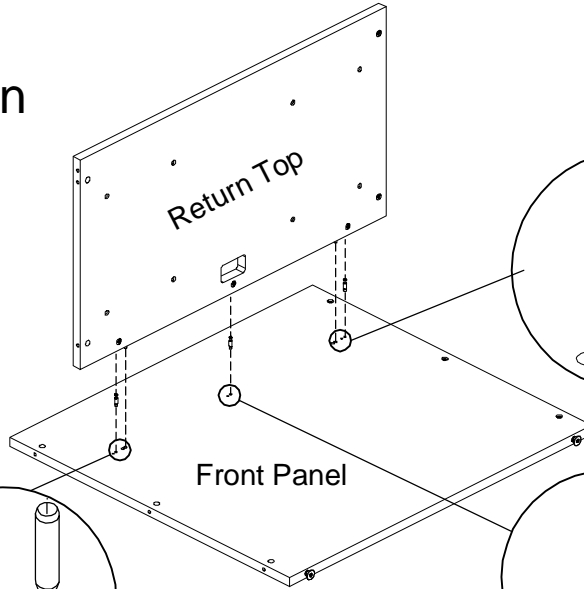
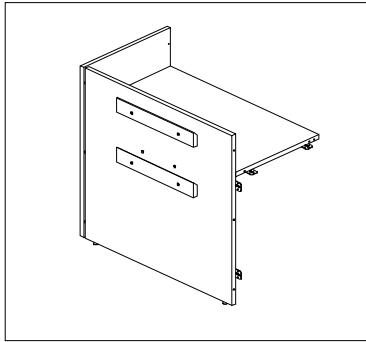
45mm MINI FIX BOLT
WITH 10mm SPACER



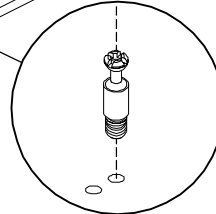


STEP: 1b

RIGHT Hand Return



35mm MINI FIX BOLT
WOOD DOWEL

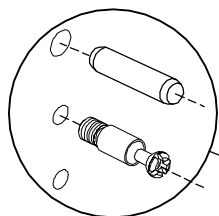


35mm MINI FIX BOLT

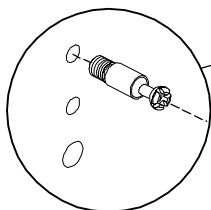
35mm MINI FIX BOLT
WOOD DOWEL

STEP: 2b

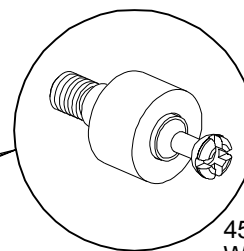
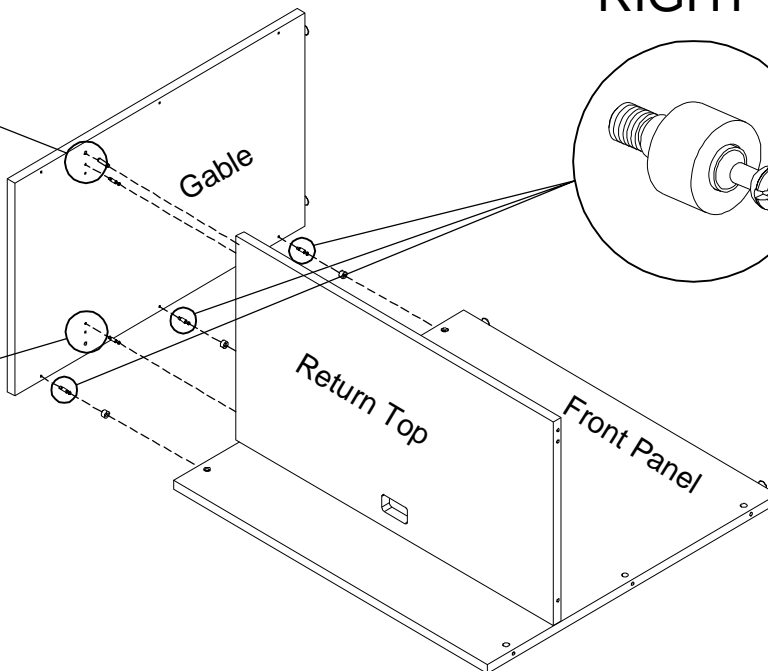
RIGHT Hand Return



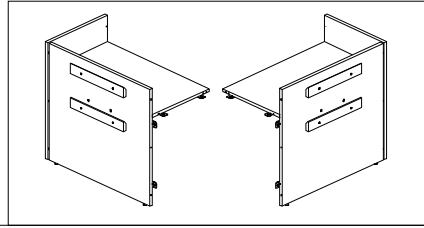
35mm MINI FIX BOLT
WOOD DOWEL



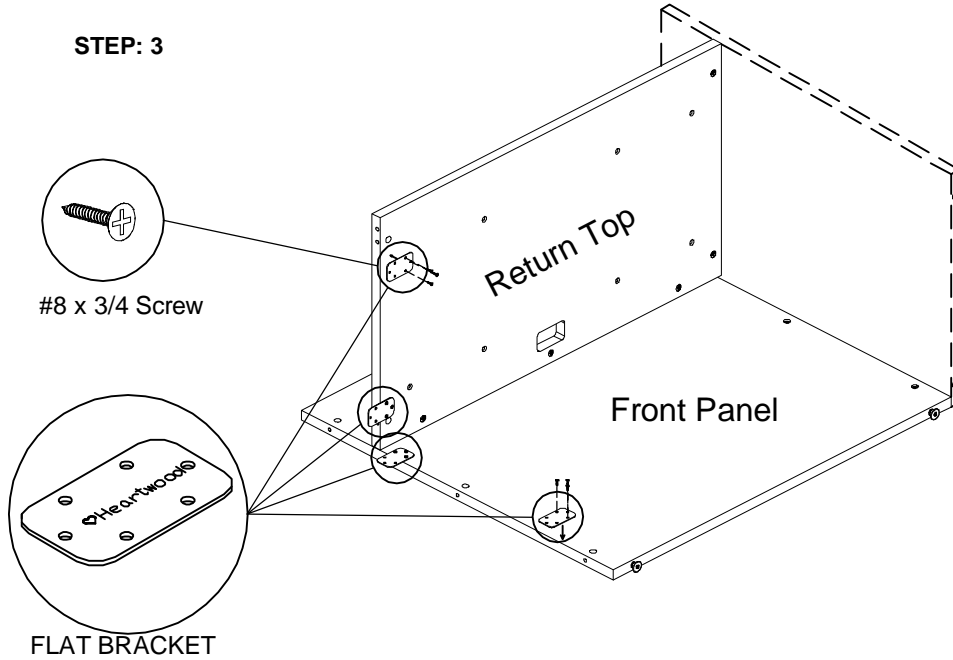
35mm MINI FIX BOLT



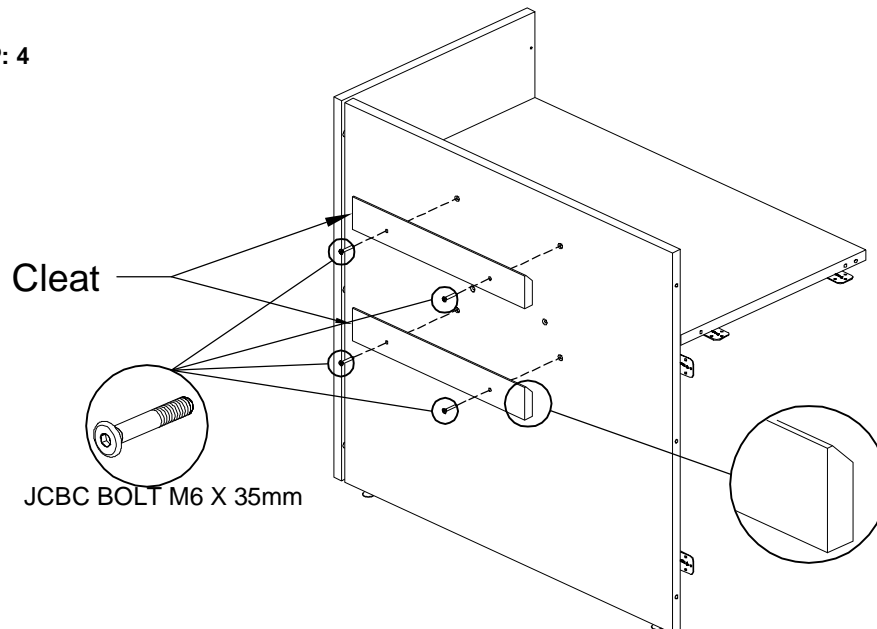
45mm MINI FIX BOLT
WITH 10mm SPACER



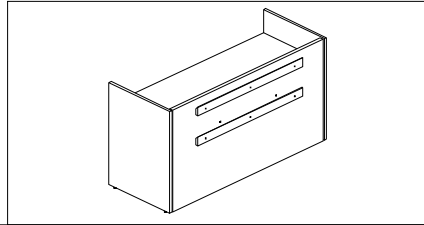
STEP: 3



STEP: 4

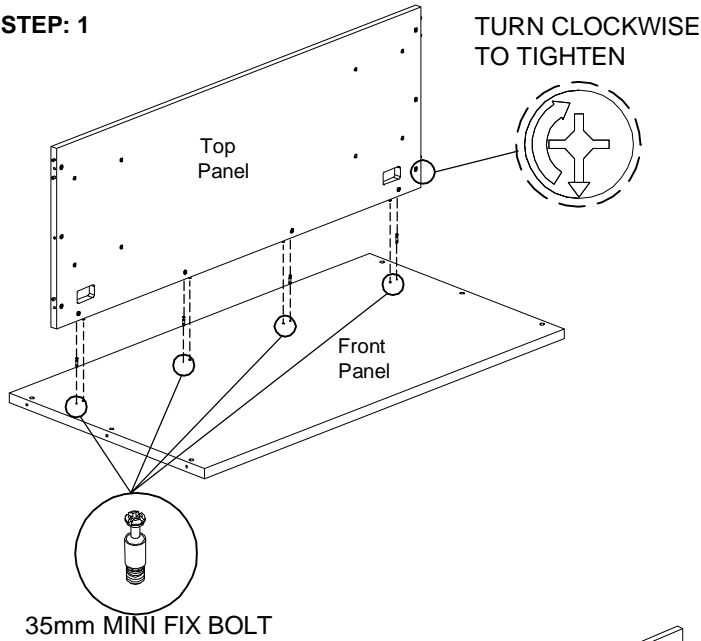


QUESTIONS OR CONCERNS ?
PHONE Customer Service
1-866-567-3060
M-F 6am - 4:30 pm PST

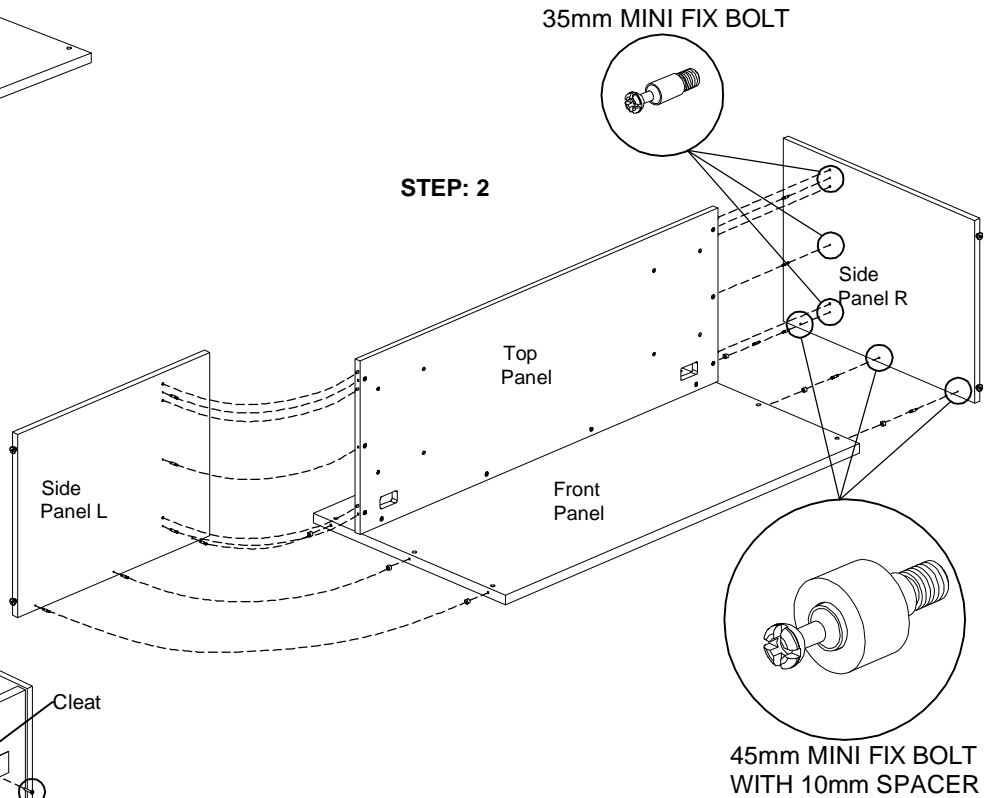


6 PCS 10mm SPACER	6 PCS 45mm MINI FIX BOLT	10 PCS 35mm MINI FIX BOLT	6 PCS JCBC BOLT M6 X 35mm	9 PCS DECO CAP	1 PC TOP PANEL	1 PC FRONT PANEL	1 PC SIDE PANEL L
						2 PCS CLEAT	1 PC SIDE PANEL R

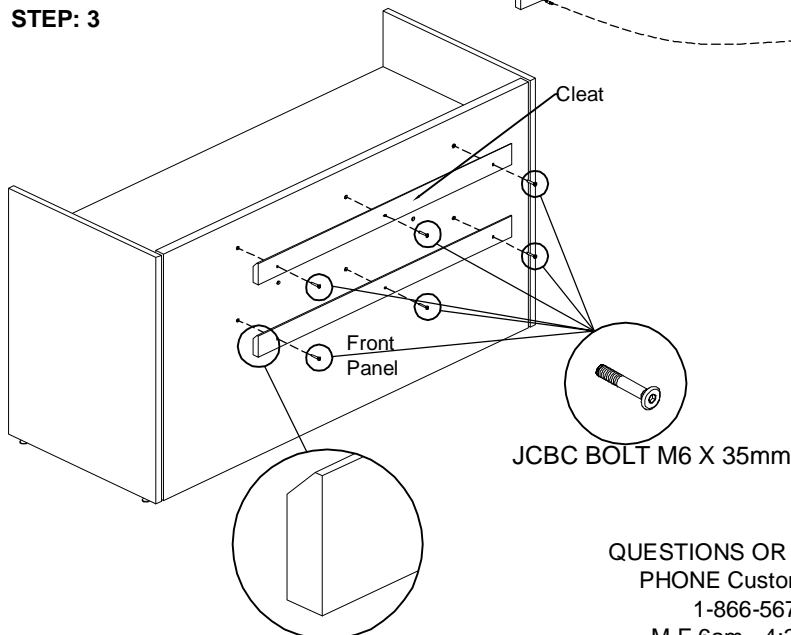
STEP: 1



STEP: 2



STEP: 3



CAUTION:

OFFICE FURNITURE IS HEAVY. ENSURE THAT YOU HAVE ADEQUATE ASSISTANCE WHEN LIFTING AND MOVING PARTS AND ASSEMBLIES. KEEP HARDWARE OUT OF REACH OF CHILDREN.

QUESTIONS OR CONCERNS ?
PHONE Customer Service
1-866-567-3060
M-F 6am - 4:30 pm PST