

AP-C03



A (x2)

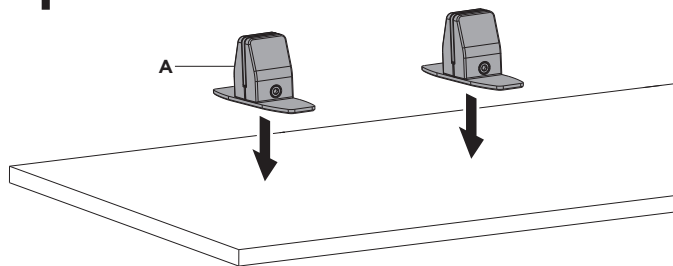


B (x2)
M6x35



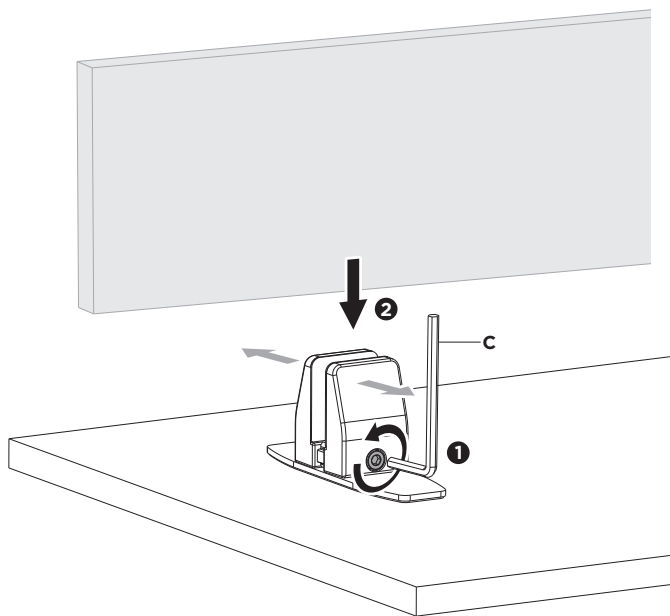
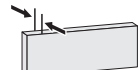
C (x1)

1



2a

Panel: 3-14mm



2b

Panel: 13-20mm

