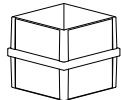


framework

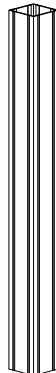
CAUTION:
OFFICE FURNITURE IS HEAVY. ENSURE THAT YOU HAVE ADEQUATE ASSISTANCE WHEN LIFTING AND MOVING PARTS AND ASSEMBLIES. KEEP HARDWARE OUT OF REACH OF CHILDREN

POST CONNECTING SLEEVE



1 PCS

POST EXTENSION



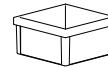
1 PCS

ASSEMBLY INSTRUCTION:

Ceiling Feed Kit Installation

MODELS: FRM-CLG-FD1

TOP SLEEVE



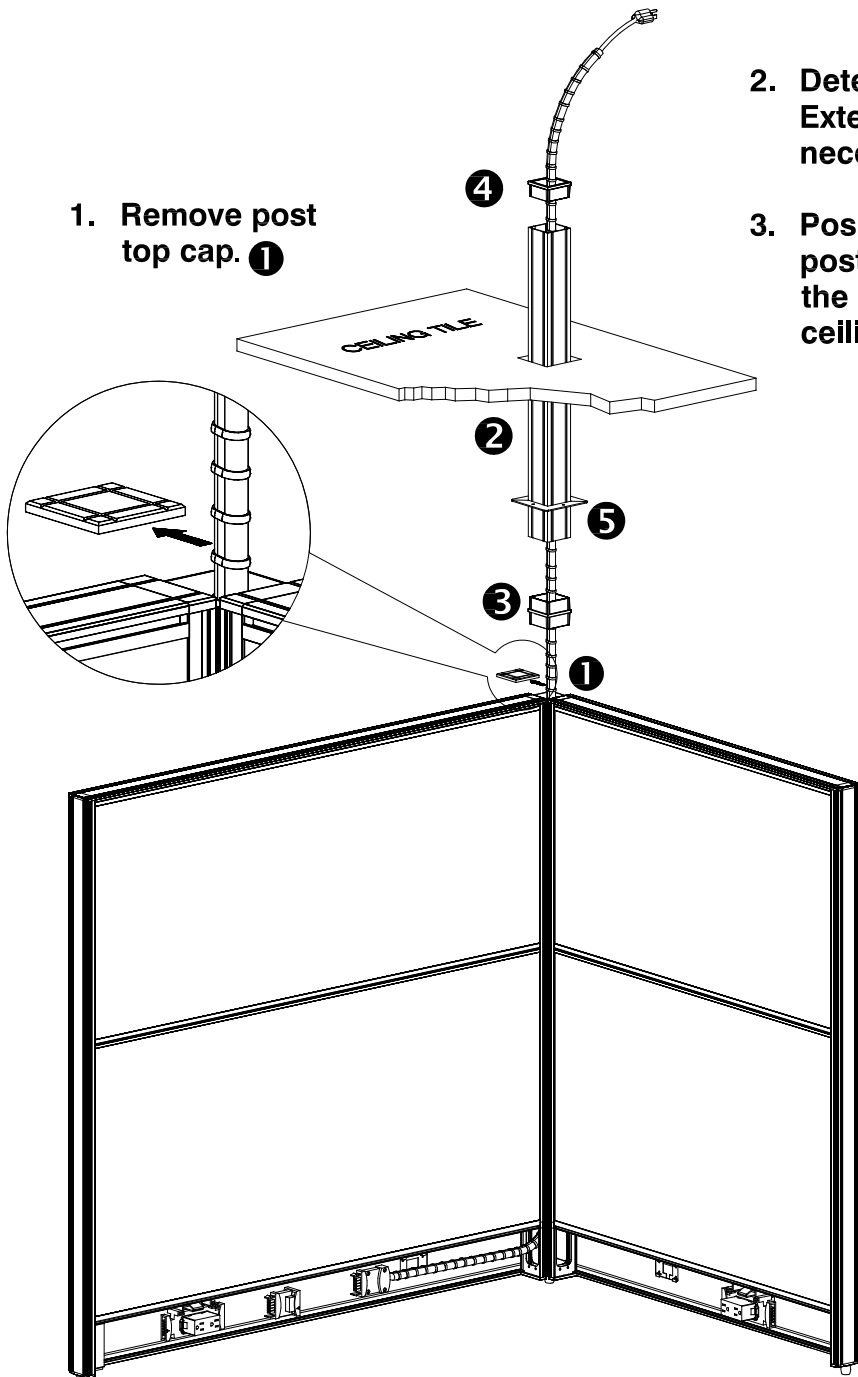
1 PCS

CEILING FEED BEZEL



2 PCS

1. Remove post top cap. ①



2. Determine the required length of the Post Extension ② . Cut to desired length (if necessary).
3. Position Post Extension over the desired corner post. Use a level to ensure accurate placement of the Post Extension and trace an outline on the ceiling tile.

4. Cut out the traced Post Extension outline.

5. Using the Post Connecting Sleeve ③ , attach the Post Extension to the top of the Post. Gently push into place to ensure a secure connection between the top of the post and the Post Extension.

6. Cap the top of the Post Extension with the Top Sleeve ④ .

7. Feed the desired cords through the post and Post Extension.

8. Fasten Ceiling Feed Bezel ⑤ in place.