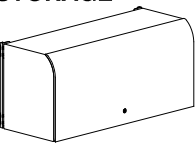
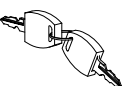
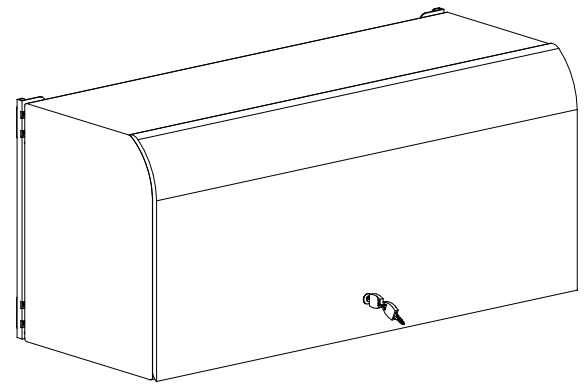


framework

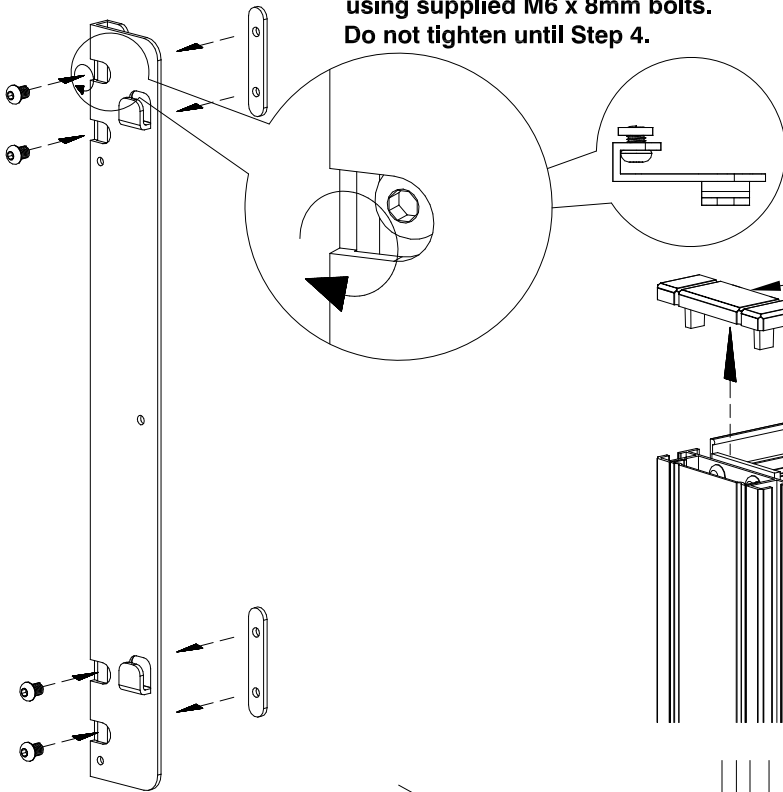
OVERHEAD STORAGE BRACKET ASSEMBLY			OVERHEAD STORAGE	KEYS
BRACKET	BACK PLATE	M6 X 8mm BOLT		
2 PCS	4 PCS	8 PCS	1 PCS	1 PCS

CAUTION:
OFFICE FURNITURE IS HEAVY. ENSURE THAT YOU HAVE ADEQUATE ASSISTANCE WHEN LIFTING AND MOVING PARTS AND ASSEMBLIES. KEEP HARDWARE OUT OF REACH OF CHILDREN

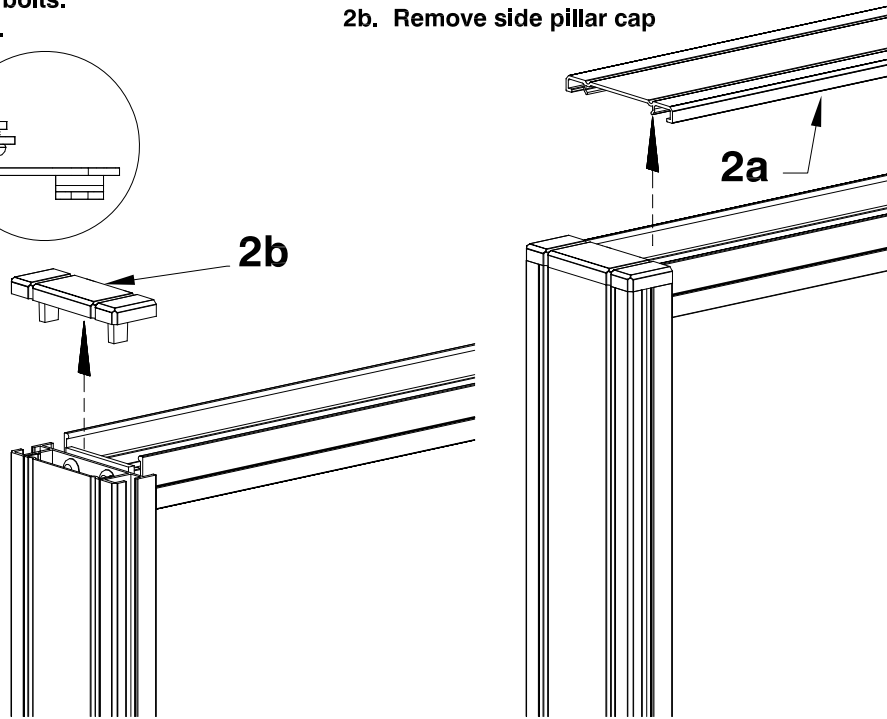


OVERHEAD STORAGE CABINET MODELS: FRM-OSC30 FRM-OSC36

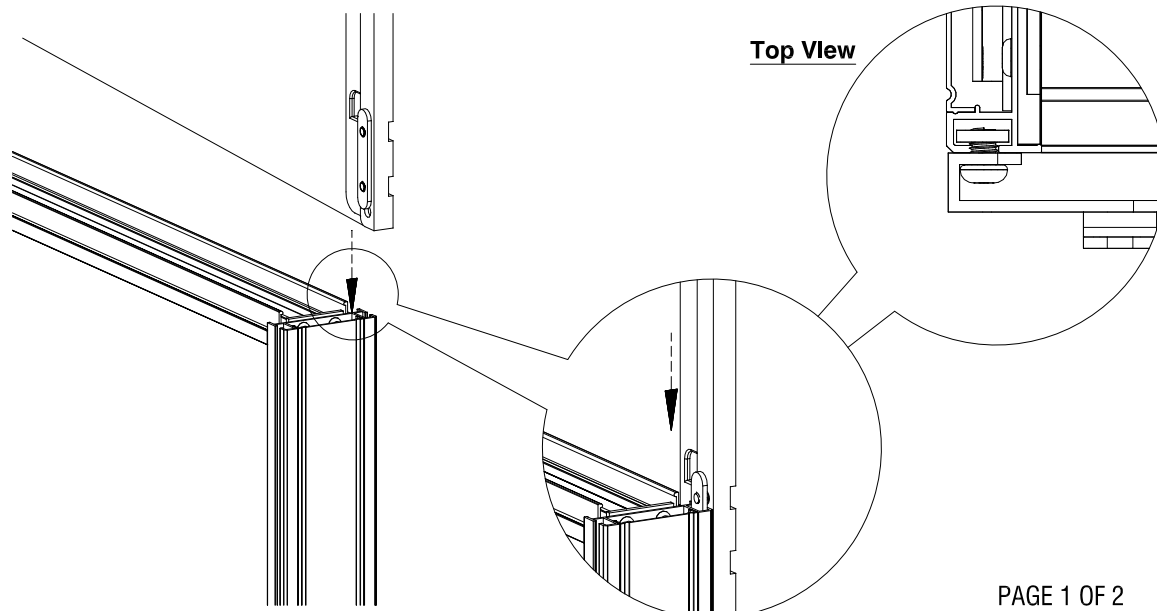
1. Install 2 back plates on each bracket using supplied M6 x 8mm bolts. Do not tighten until Step 4.



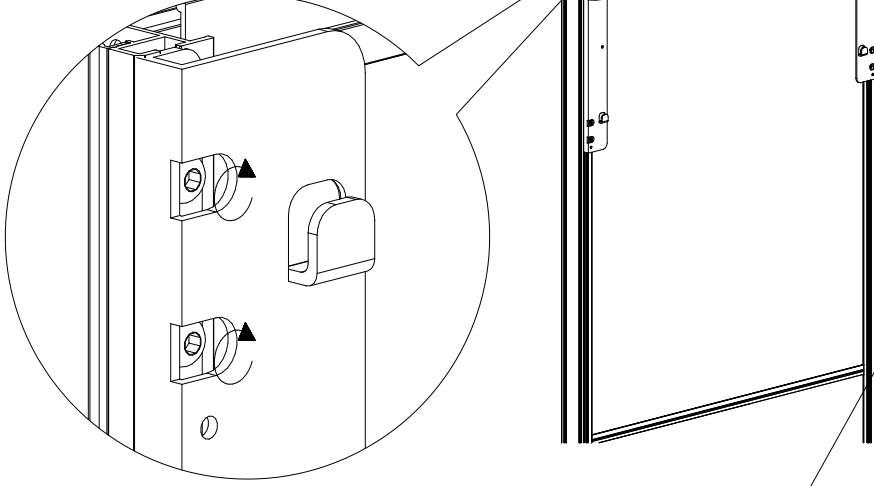
2a. Remove the top cover.
2b. Remove side pillar cap



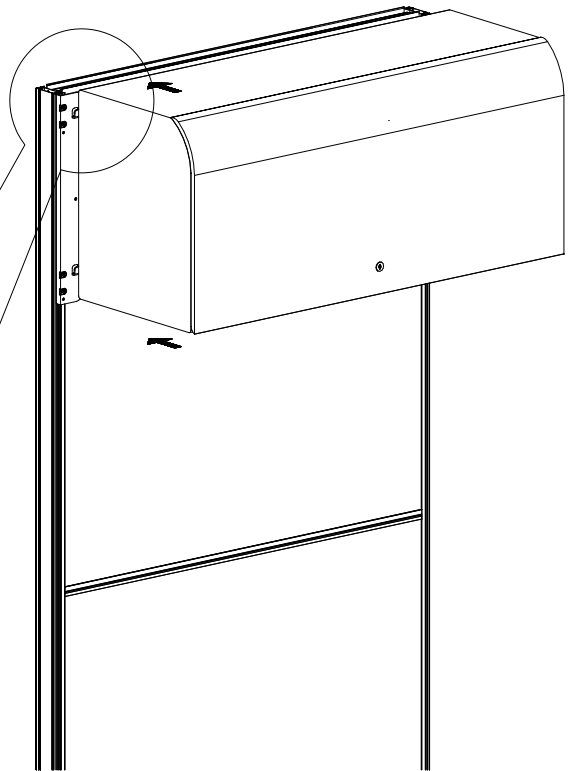
3. Place each overhead storage bracket assembly hooks up at the top of the side pillar and align the back plate on the bracket with the channel on the side pillar. Slide overhead storage bracket assembly down the side pillar to the desired location.



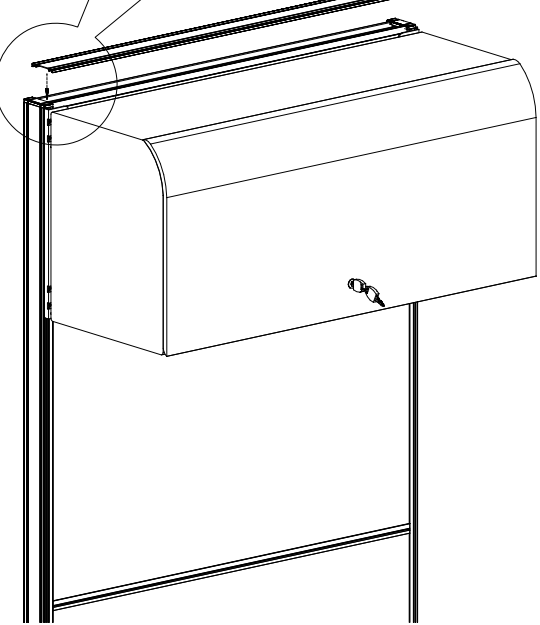
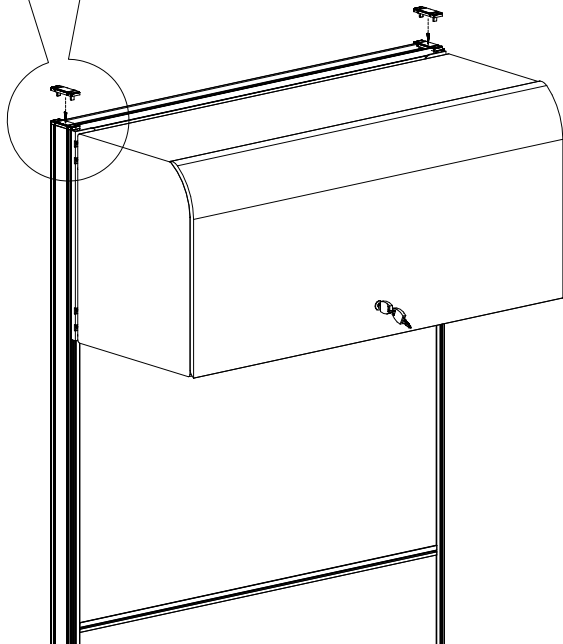
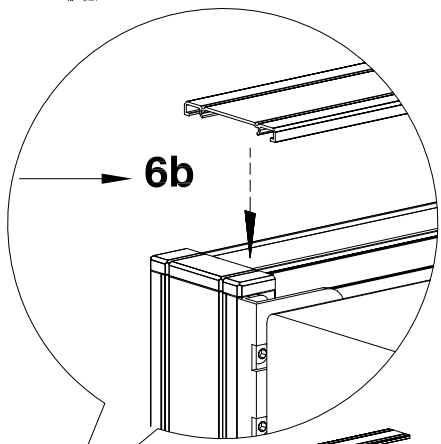
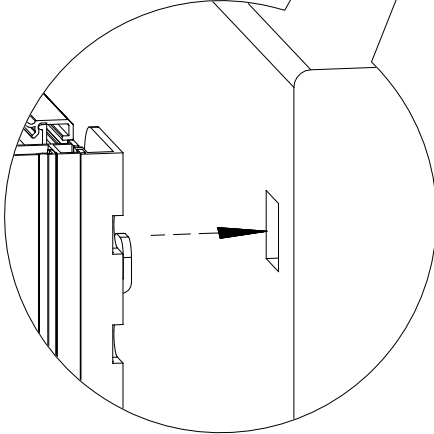
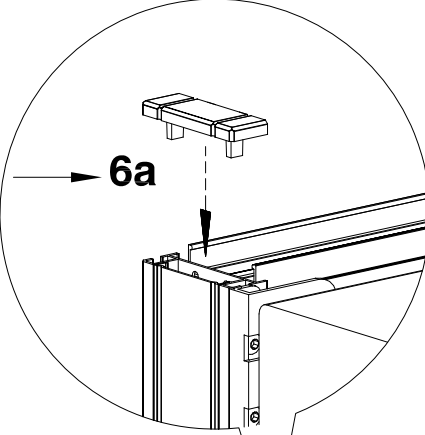
4. Once positioned at the desired location, ensure the overhead storage brackets are level and then tighten the overhead storage bracket assembly bolts to secure brackets in place.



5. Align the four hooks on the overhead storage bracket assemblies (two on each) with the four slots located at the back of the overhead storage unit. Place the overhead storage unit onto the hooks and slide the unit down to secure on the brackets.



6a. Reinstall side pillar cap.
6b. Reinstall top cover.



QUESTIONS OR CONCERNS ?
PHONE Customer Service
1-800-567-3060
1-250-765-4145
M-F 7am - 4:30 pm PST

A-12 REV B

January 30, 2015